

Poindus

VariPOS

Same Spirit, New Scope

240





Features

Robust, Reliable & Friendly

VariPOS 240 delivers more power and performance combined with a sleek 14" IP66 PCT widescreen display opening up a new scope of application possibilities. A robust platform with Quick Service Design and the functionality you demand with the flexibility you need, delivered with a modern aesthetic vision inspired by rapidly changing technology.



Patented Double Hinged 2 Display

The 10.1" 2nd Display allows optimal positioning with the highly flexible double hinged design and dual mounting points allowing you to communicate directly with the customer at the Point Of Sale.

Ordering Information

VariPOS™ 240 (PE20/ PE21)

- | | |
|-------------------------------|--|
| ▪ VariPOS 240-J1900 | Intel® Celeron® J1900 2.42 GHz CPU |
| ▪ VariPOS 240-i5-6500TE | Intel® Skylake Core™ i5-6500TE 3.30 GHz CPU |
| ▪ VariPOS 240-i3-6100TE | Intel® Skylake Core™ i3-6100TE 2.70 GHz CPU |
| ▪ VariPOS 240-Celeron-G3900TE | Intel® Skylake Celeron® G3900TE 2.30 GHz CPU |



Multi-touch
Screen



Waterproof
IP66 on Front Panel



Quick & Easy
Maintenance



Detail features

- Wide range of CPUs from J1900 to Intel 6th generation Celeron, Core i3/i5
- Ultra slim 14" PCT multi touch widescreen display
- IP66 Ingress Protection Front Panel
- 2x12v, 1x24v Powered USB (PE21 Option)
- Patented swivel arm with flexible height/tilt adjustment for 2nd display and dual (left/Right) base mounting points
- Supporting Microsoft platforms from POS Ready 7 to Windows 10 (32/64bit)
- Peripheral compatibility across VariPOS 2xx series: 10.1" 2nd display (Patented Double Hinge), VESA Bracket, LCM, MSR, iButton, RFID, Fingerprint, Scanner
- Easy access & quick swap modular design for Display, Motherboard & SSD/HDD

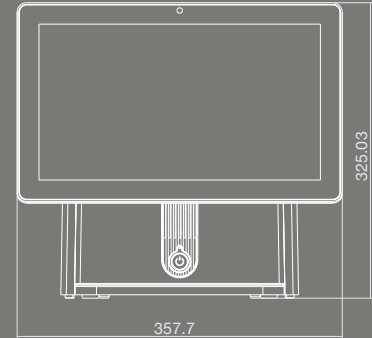
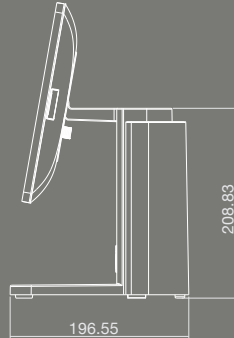
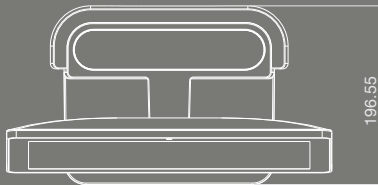
Specification

Model Name		• VariPOS 240 (PE21)	• VariPOS 240 (PE20)
Main Board	Processor	Intel® Skylake Core™ i5-6500TE Processor Intel® Skylake Core™ i3-6100TE Processor Intel® Skylake Celeron® G3900TE Processor	Intel® Celeron® Processor J1900
	Chipset	Intel® H110 / Intel® Q170 (Option)	CPU Integrated
	System Memory	1 x SO-DIMM DDR4 slot, 4GB RAM as standard. Max. memory support up to 16GB.	1 x SO-DIMM DDR3L slot, 4GB RAM as standard. Max. memory support up to 8GB
	TPM	Intel F/W	N/A
	Intel AMT	N/A / YES (i5 w/ Q170 chipset)	N/A
Display & Touch	LCD Size	14" HD 16:9 TFT LCD (LED backlight)	
	Brightness	200nits	
	Resolution	1366 x 768 (16:9)	
	Touch	True Flat Projected Capacitive Technology	True Flat Projected Capacitive Technology
Storage	HDD/SSD	1 x SATA III-2.5" / 2 x SATA III-2.5" (Option)	1 x SATA II-2.5"
	RAID Function	N/A / YES. Support RAID 0/1 (Q170 chipset)	N/A
I/O & Expansion	DC Input	1 x Mini Din 4P (DC +19V only)	
	Cash Drawer	1 x RJ-11 (Support DC +12V or +24V (default)) port supports 2 cash drawers	
	LAN port	1 x Intel Gigabit Ethernet by RJ-45	1 x Gigabit Ethernet by RJ-45
	USB port	4 x USB 3.0 2 x USB 2.0	4 x USB 3.0 2 x USB 2.0
	Powered USB Port (Option)	2 x 12v Powered USB 1 x 24v Powered USB	N/A
	COM port	3 x RS-232(COM1/2:DB-9, COM3:RJ-48) w/DC 0V/+5V/+12V, Selectable by BIOS (default setting is DC 0V)	
	VGA port	1 x DB-15 w/DC+12V. Power enables by BIOS setting (default is Disable)	
	Bus Expansion	1 x Mini-PCI-E Slot	
	Power Switch	1 x power on/off button	
	Speaker	HD Audio, 2W Speaker x 2	
OS Support	Windows 10 2016 IOT (64bit) / Windows 8.1 (64bit) / Windows 7 (32bit / 64bit)	Win10 2016, Win8.1, Win7/POS Ready 7	
Power Adapter	External adapter, DC Model : Voltage:+19VDC, Std. 90watt. (Powered USB will use 180watt adaptor)	External adapter, DC Model : Voltage:+19VDC Std. 65watt	
Compliance	Certifications	CE, FCC, LVD, RoHS	
	Protection	IP 66 on front panel	
Material	Main Unit: Die-Cast Aluminum		
Color	Main Unit: Space Gray / Black, Space Gray / White		

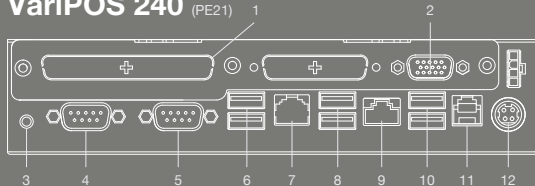
Model Name		• VariPOS 240 (PE21)	• VariPOS 240 (PE20)
Dimension (W x H x D mm)		365.89 x 354.48 x 196.55	
Environmental Condition	Operating	0°C ~ 40°C, 10% ~ 90% RH, non-condensing	
	Storage	-20°C ~ 60°C, 10% ~ 90% RH, non-condensing	
Optional Accessories	2nd Display	10.1 " Resolution 1280 x 800 (16:10 wide screen), USB Type	
	VESA Bracket	Supports Display M series	
	Customer Display (LCM)	2x20 LCM, USB Type	
	MSR	ISO 3-Tracks Slim MSR, USB Type	
	iButton	Dallas Key Reader, USB Type	
	RFID	13.56Mhz, USB Type	
	Fingerprint	DigitalPersona, USB Type	
	Scanner	2D scanner, USB Type	
Carton		L 460 x W 300 x H 510 mm	

* The right has been reserved to change the specification without prior notice

Dimensions



VariPOS 240 (PE21)



- | | | |
|-----------------------------|-----------|----------------|
| 1 Powered USB Port (Option) | 5 COM 1 | 9 LAN |
| 2 VGA | 6 USB 2.0 | 10 USB 3.0 |
| 3 Power Switch | 7 COM 3 | 11 Cash Drawer |
| 4 COM 2 | 8 USB 3.0 | 12 DC 19V |

VariPOS 240 (PE20)



- | | | |
|----------------|-----------|----------------|
| 1 VGA | 5 USB 2.0 | 9 USB 3.0 |
| 2 Power Switch | 6 COM 3 | 10 Cash Drawer |
| 3 COM 2 | 7 USB 3.0 | 11 DC 19V |
| 4 COM 1 | 8 LAN | |



Poindus Systems Corp. Headquarters

5F, No.59, Ln. 77, Xing-Ai Rd., Neihu Dist., Taipei City 114, Taiwan. R.O.C

☎ + 886 27721 4688

📠 + 886 27721 2289

✉ sales@poindus.com

France

Paris Nord 2 - MicroPark – Bat. F
33 rue des Chardonnerets 93290 – Tremblay en France

☎ + 33 (0)1 80 90 74 20

✉ fr.sales@poindus.com

Germany

ADASYS GmbH Elektronische Komponenten
Max-Planck-Str. 10 70806 Kornwestheim

☎ + 49 7154 83000

📠 + 49 7154 8300 599

✉ info@adasys.de

UK

12 Chancerygate Business Centre, Whiteleaf Road,
Hemel Hempstead HP3 9HD

☎ + 44 330 555 0081

📠 + 44 330 555 0082

✉ puk@poindus.com

USA

17128 Colima Rd, #828, Hacienda Heights,
CA 91745

☎ +1 855 922 0077

📠 +1 855 922 0077

✉ sales@poindus-usa.com