



Poindus

Poindus Systems Corp.

5F., NO.59, LANE 77, XING-AI RD., NEIHU DIST.,

TAIPEI CITY 114, TAIWAN

TEL:+886-2-7721-4688 FAX: +886-2-77212289

E-MAIL:SALES@POINDUS.COM

WWW.POINDUS.COM



WE INNOVATE TO REFINE THE NEXT TABLET POS





Bay Trail



Windows 8.1



Android



NFC



2D Scanner



Fingerprint



Wireless LAN



3G Connection



Bluetooth



1.2m Multiple Drops



Rugged Design

VariPad W

Enrich Your Business Strategy with Rugged, Versatile VariPad W Series



Features

- Intel Bay Trail Z3735F Low Power CPU
- 7" / 10.1" P-CAP touch screen with IP 54 waterproof certification
- Windows OS / Android Platform allows seamless integration
- Real-time data transmission by 3G / WiFi / Bluetooth
- Hand strip and holster to ensure security
- 8,000mAh battery for long time & heavy working operation
- Built-in Integrated MSR, 5MP camera, NFC Module
- Optional Modules Available: Smart Card Reader, Finger Printer, 2D QR Code Scanner, 3G Module



Android 4.4.4 / Windows OS





High Flexibility to Fit Different Applications

Converting the Tablet POS



VariPad Holst
For VariPad W1 / W1a,
Free your hands &
better efficiency



5-in-1 charging cradle



Smart Card Reader Support



5M Pixel Camera



NFC Compliance



Quick Charging at the Docking Station



2D Scanner Support



Fingerprinter



3-Track MSR Reader



An Extension of your Existing POS Terminal



Specification

Model Name		VariPad W1	VariPad W2	VariPad W1a	VariPad W2a
Main Board	Processor	Intel® Bay-Trail Z3735F 1.83GHz		Intel® Bay-Trail Z3735F 1.83GHz	
	System Memory	2GB LPDDR3		2GB LPDDR3	
	Storage	32GB eMMC (embedded MultiMedia Card)		32GB eMMC (embedded MultiMedia Card)	
Display & Touch	LCD Size	7"	10.1"	7"	10.1"
	Brightness	300 nits	370 nits	300 nits	370 nits
	Resolution	1280 x 800 (WXGA)	1920 x 1200 (WUXGA)	1280 x 800 (WXGA)	1920 x 1200 (WUXGA)
	Touch Technology	P-CAP 5 points Multi-touch	P-CAP 5 points Multi-touch	P-CAP 5 points Multi-touch	P-CAP 5 points Multi-touch
Wireless Networking	Wireless LAN	802.11 a/b/g/n, 2.4GHz / 5GHz		802.11 a/b/g/n, 2.4GHz / 5GHz	
	Bluetooth	4.0+LE, Class 2 (Bluetooth® Low Energy)		4.0+LE, Class 2 (Bluetooth® Low Energy)	
	NFC	1		1	
	3G	3G (Optional)		3G (Optional)	
I/O & Expansion	Micro SD Socket	1 (support up to 64GB)		1 (support up to 64GB)	
	DC Input	6 pin		6 pin	
	Power Switch	1 x power on / off switch button		1 x power on / off switch button	
	Speaker	1W x 1 Speaker	1W x 2 Speaker	1W x 1 Speaker	1W x 2 Speaker
Control / Indicator	Power Button	1		1	
	Sensor	G-sensor, Ambient Light Sensor (NO GPS)		G-sensor, Ambient Light Sensor (NO GPS)	
	Vibration	Built-in vibrating motor		Built-in vibrating motor	
	LED Indicator	1 (Battery status indicator)		1 (Battery status indicator)	
	Camera	5M pixel (Rear side)		5M pixel (Rear side)	
Peripherals	MSR	3 Tracks MSR		3 Tracks MSR	
	SCR	PS/SC 1.0, ISO7816 Compliance		PS/SC 1.0, ISO7816 Compliance	
	Scanner	1D/2D Barcode Scanner (Combo Module optional) USB Type		1D/2D Barcode Scanner (Combo Module optional) USB Type	
	FingerPrint	FingerPrint (Optional)		FingerPrint (Optional)	
	Hand strap	1		1	
Battery & Power	Optional Module	Smart IC Card Reader + 1D/2D Barcode Scanner + 3G + FingerPrint (Combo Module B Optional)		Smart IC Card Reader + 1D/2D Barcode Scanner + 3G + FingerPrint (Combo Module B Optional)	
	Battery	8000 mAh, 3.7V, 29.6 Wh		8000 mAh, 3.7V, 29.6 Wh	
	Power Adapter	10W / 5V		10W / 5V	
Cradle	USB Port	Micro-USB 2.0 x 1 (OTG)		Micro-USB 2.0 x 1 (OTG)	
OS Support		(32bit only)Win8.1 Industry Pro, Windows 10 IoT Enterprise		Android 4.4.4	
Compliance	Certifications	CE, FCC, RoHS, UL		CE, FCC, RoHS, UL	
	Fall Security	IP54 (display side), 1.2 M drop, 1 drop per side at 25°C		IP54 (display side), 1.2 M drop, 1 drop per side at 25°C	
Color		Black		Black	
Dimension(Wx H x D)		204 x 128 x 35.3 mm	268 x 176 x 35.5 mm	204 x 128 x 35.3 mm	268 x 176 x 35.5 mm
Weight		665g (1.47lbs), Max 690g (1.52lbs) (with all peripherals)	930g (2.08lbs), Max 990g (2.18lbs) (with all peripherals)	665g (1.47lbs), Max 690g (1.52lbs) (with all peripherals)	930g (2.08lbs), Max 990g (2.18lbs) (with all peripherals)
Environmental	Operating Condition	0°C ~ 40°C, 20% - 80% RH, non-condensing		0°C ~ 40°C, 20% - 80% RH, non-condensing	
	Storage Condition	-10°C ~ 45°C, 10% ~ 90% RH, non-condensing		-10°C ~ 45°C, 10% ~ 90% RH, non-condensing	

*We reserve the right to alter specifications without prior notice.

VariPad Accessory

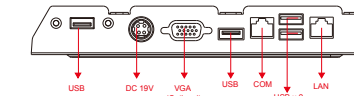
2nd Cradle



VariPad-W1 Cradle for
VairPOS / ToriPOS
ToriPRO / POSINNO Series

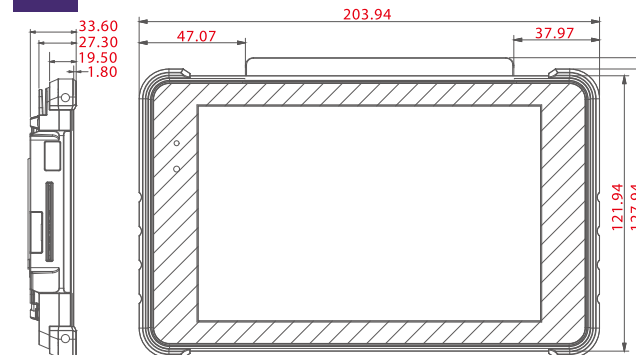
Docking Station

USB x2, USB x1 (2A), COM x1 (RJ48), LAN x1 (RJ45), VGA x1 (optional), Power Adapter x1 (optional), Power Adapter 19V/65W



Dimension

W1



W2

